



Techni
ENGINEERING SOLUTIONS

FORD TRANSIT CUSTOM / TRANSIT VAN FWD

2.0L TURBO DIESEL ECOBLUE EURO 6

250 , 270 , 290 , 310 , 330, 340, 350

CODE / CODICE: 0500.8232

**COMPRESSOR / COMPRESSEUR / KOMPRES-
SOR / COMPRESSORE / COMPRESOR :**

SELTEC TM13 / 15

QUE QP13 / 15

SANDEN SD7H15

FITTING INSTRUCTIONS

EINBAUANLEITUNGEN

INSTRUCTIONS POUR LE MONTAGE

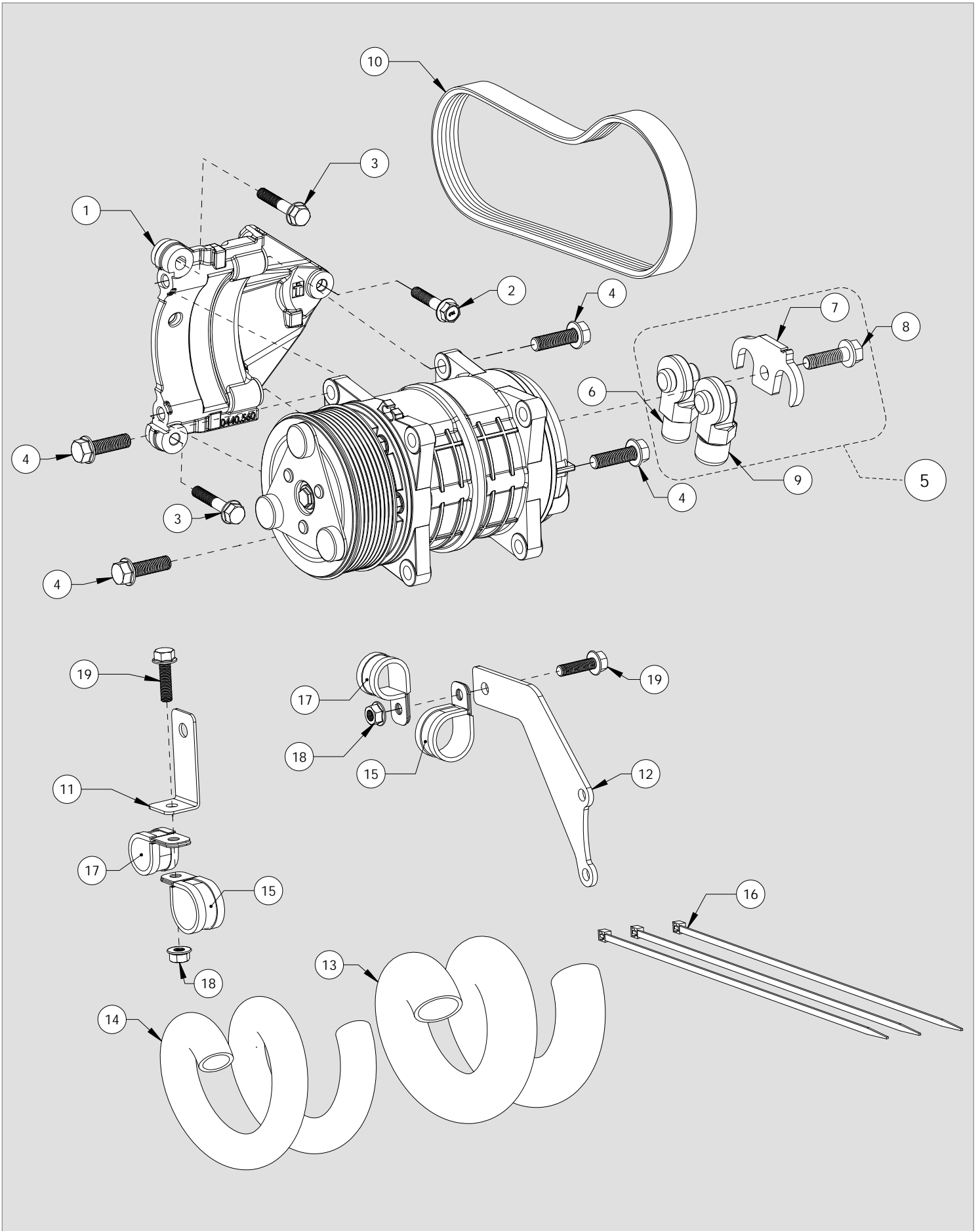
ISTRUZIONI DI MONTAGGIO

INSTRUCCIONES DE MONTAJE

Contents

ENGLISH	4
Parts View.....	4
Parts List	5
Compressor Configurations	6
Standard Fastener Torque Values	6
Kit Details	7
Vehicle Details	7
Forward	7
Pre Installation.....	8
Installation	8
Compressor Installation.....	9
Hose routing	10
Finishing.....	11
Belt guard	11

PARTS VIEW / VUE ÉCLATÉE / TEILEANSICHT / VISTA PARTA / IMÁGENES DE LAS PIEZAS



PARTS LIST / NOMENCLATURE / TEILELISTE / ELENCO DELLE PARTI / LISTA DE PIEZAS

ITEM	CODE / CODICE / KODE / CODIGO	DESCRIPTION / DESCRIZIONE / BESCHREIBUNG / DESCRIPCION	QTY.	COMMENTS
1	0441.5601	CMB Assy - Ford Panther 2.0l	1	
2	2704.5741	Hexagon flange bolt - M8 x 40 : 1.25 - 10.9	1	
3	2704.1031	Hex flange bolt - M8 x 45 : 1.25 - 10.9	2	
4	2705.0241	Hex flange bolt Durlok - M10 x 35 : 1.50 - 12.9	4	
5	0425.0651	Manifold set - Swivel Type G - 3/4 x 7/8	1	
6	0426.5082	Compressor Fitting-Discharge-3/4-16- Type D	1	
7	3020.6631	Manifold pipe clamp `E`	1	
8	2705.5301	Hex Flange Bolt -M10 x 35 : 1.50 -8.8	1	
9	0426.5072	Compressor Fitting-Suction-7/8-14- Type D	1	
10	0820.7271	Belt - Poly Groove 6PK 1438	1	
11	3020.6641	Support Plate 90 deg Ø8.5x Ø 10.5	1	
12	3020.6211	Gearbox Hose support	1	
13	1430.0172	Heat Shield Sleeve ID30, L 0.6	1	
14	1430.0182	Heat Shield Sleeve ID20, L0.6	1	
15	2771.1101	P Clip 30mm M8 Fixing	2	
16	2763.0051	Cable Tie 4.8 x 370 - Black	3	
17	2771.1081	P Clip 25mm M8 Fixing	2	
18	2734.0021	Durlok Hexagon Flange Nut - M8 : 1.25	2	
19	2704.0091	Hex flange bolt Durlok - M8 x 30 : 1.25 - 12.9	2	

**COMPATIBLE COMPRESSORS / COMPRESSEURS RECOMMANDÉS / EMPFOHLENE KOMPRESSOREN
RACCOMANDATO COMPRESSORI / RECOMENDADAS COMPRESORES**

SELTEC	TM-13 HS	TM-15 HS	-
Comp No.	0381.0352	0381.5002	-
Seltec No.	435-54122	435-55122	-
Mounting	Ear	Ear	-
Rotor	8PV	8PV	-
GL	46.55mm	46.55mm	-
Armature	3E	3E	-
Diameter	123	123	-
Voltage	12	12	-
Orientation	H	H	-
Fitting	3/4 x 7/8	3/4 x 7/8	-
Manifold	Bolt	Bolt	-

QUE	QP-13 HS	QP-15 HS	-
Comp No	0391.0352	0391.5002	-
Que No.	QP13-1274	QP15-1266	-
Mounting	Ear	Ear	-
Rotor	8PV	8PV	-
GL	46.55mm	46.55mm	-
Armature	3E	3E	-
Diameter	123	123	-
Voltage	12	12	-
Orientation	H	H	-
Fitting	3/4 x 7/8	3/4 x 7/8	-
Manifold	Bolt	Bolt	-

SANDEN	-	-	SD7H15
Comp No	-	-	0370.0061
Sanden No.	-	-	8103
Mounting	-	-	Ear
Rotor	-	-	8PV
GL	-	-	46.55mm
Armature	-	-	SL
Diameter	-	-	123
Voltage	-	-	12
Orientation	-	-	V
Fitting	-	-	3/4 x 7/8

NOTES

STANDARD FASTENER TORQUE VALUES

In the absence of specific torque values detailed in this fitting instruction manual, the following chart can be used as a guide to the maximum safe torque for specific size and grade of fastener.

COUPLES DE SERRAGE DES FIXATIONS STANDARDS

Si des chiffres de serrage au couple particuliers ne sont pas indiqués dans cette notice de montage, se référer au tableau suivant qui servira de guide pour le couple de sécurité maximum correspondant à une taille et un grade spécifiques de fixation.

ANZIEHMOMENTE FÜR STANDARDBEFESTIGUNGSMITTEL





Falls in dieser Einbauanleitung keine speziellen Anziehmomente angegeben sind, kann die folgende Tabelle als Richtlinie für das maximale sichere Anziehmoment für eine spezifische Größe oder Qualität von Befestigungsmitteln dienen.

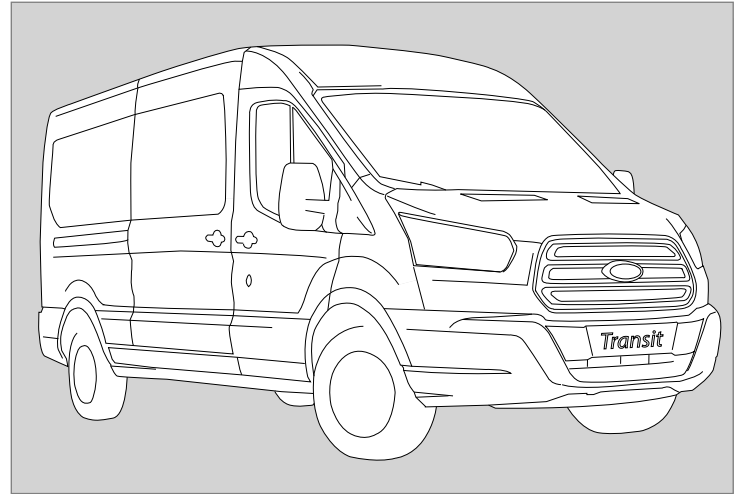
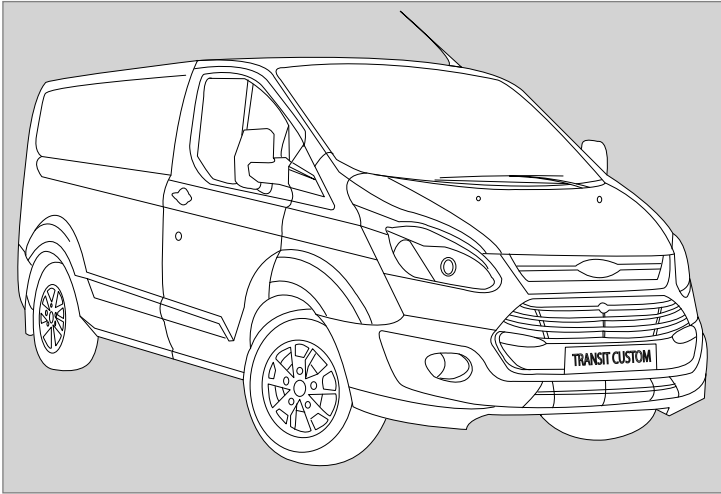
VALORI STANDARD DI SERRAGGIO PER DISPOSITIVI DI FISSAGGIO

In assenza di valori specifici di coppia nel presente manuale di istruzioni, si può utilizzare la seguente tabella come guida per conoscere la coppia massima sicura in base a dimensioni e grado del dispositivo di fissaggio.

VALORES ESTÁNDAR DE LOS PARES DE APRIETE Y FIJACIÓN

En ausencia de valores para los pares de apriete específicos detallados en este manual de instrucciones de montaje, se puede utilizar la siguiente tabla como guía para consultar el máximo par de torsión seguro para un tamaño concreto y su grado de fijación.

STRENGTH								
	Max Torque		Max Torque		Max Torque		Max Torque	
Dia / Pitch	lb.ft	Nm	lb.ft	Nm	lb.ft	Nm	lb.ft	Nm
M5 x 0.80	2	3	4.5	6	6.5	9	7.5	10
M6 x 1.00	4	5.5	7.5	10	11	15	13	18
M8 x 1.25	10	13	18	25	26	35	33	45
M10 x 1.25	20	27	39	53	57	78	66	90
M10 x 1.50	18	25	37	50	55	73	63	86
M12 x 1.75	33	45	63	85	97	130	111	150
M14 x 2.00	55	75	103	140	151	205	177	240
M16 x 2.00	85	115	159	215	232	315	273	370



VEHICLE DETAILS

Manufacturer	Ford
Model	Transit Custom/ Transit Van FWD
Model Type	250 , 270 , 290 , 310 ,330, 340, 350
Engine	2.0L Turbo Diesel Ecoblue Euro 6
Engine Details	105PS (77kW) / 130PS (96kW) / 170PS (125kW)
Year	2016>
Chassis Nos.	N/A
LHD	YES
RHD	YES
PAS	YES
A/C	NO
Voltage	12v

KIT DETAILS

Kit Part Number	0500.8232
Description	Standard
Compressor RPM	4650 @ Max engine power output
Fitting Time	30 Minutes
Suction Fitting	90 Degree
Discharge Fitting	90 Degree
Belt Type	6PK 1438
Belt Part Number	0820.7271

FOREWORD

The purpose of this manual is to facilitate the installation of a direct drive compressor. The information given is merely instructive, should any complications arise contact the Technical department. The manufacturer's warranty does not cover any problems caused by defective installation or alterations made unless authorised. The manufacturer shall not be responsible for any injury, damage or loss caused directly or indirectly as a result of using this manual or the information contained within it.

1 SAFETY MEASURES:

Before fitting the Compressor adapter drive kit, ensure the following for damage:

- a Inner and outer trim and body work
- b Engine idle pace
- c Check all the vehicle functions

Check list:

- a Ensure that the right kit has been selected
- b Before installing, check that all the correct pieces are present; also ensure that there are no missing or broken pieces
- c When fitting, make sure the vehicle is properly protected against damage.

Installation apparatus

- a Calibrated torque wrench
- b Hand service tools
- c Protective covers and shields

2 PRECAUTIONS

- a Detach the battery negative lead.
- b Torque all bolts where stated using a calibrated torque wrench.
- c Take extreme care with moving parts.
- d Remove the vehicle's ignition key and keep it with you.
- e Wear safeguards and make sure that liquid refrigerant never touches your skin

Caution: Measures must be followed accurately to steer clear of the possibility of damage to individuals


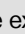



Warning: This calls awareness to actions which must be pursued to avoid damage to the components.

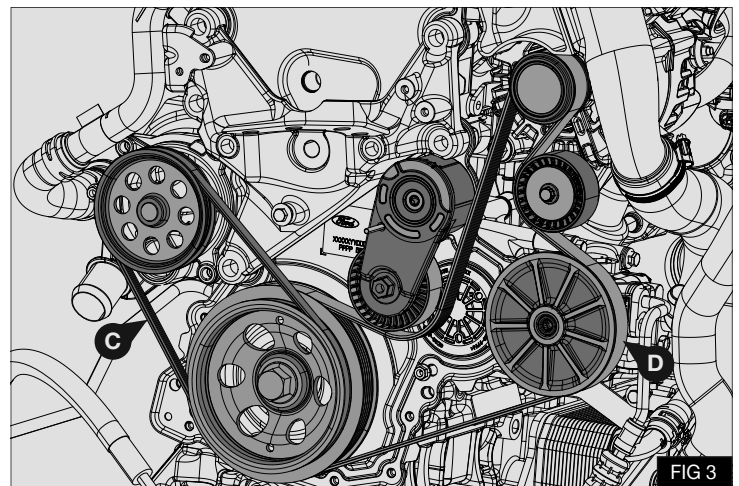
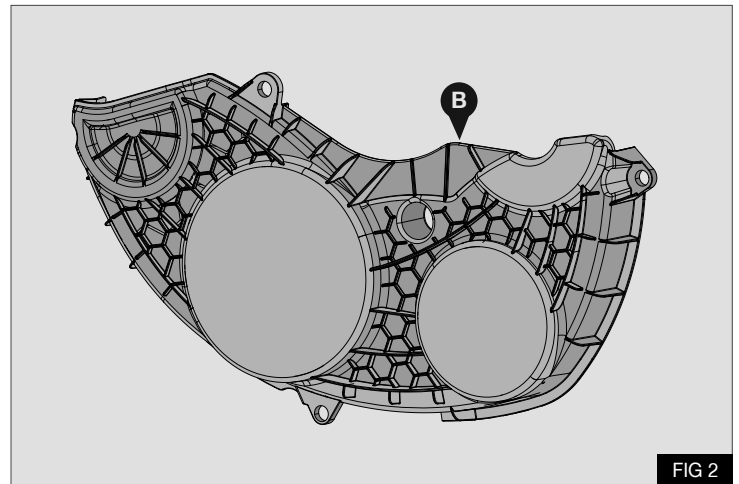
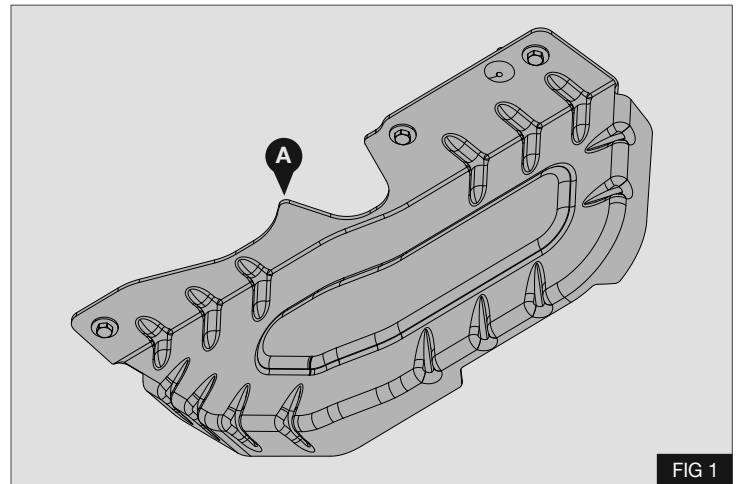
NB: This calls awareness to make the job easier or gives useful information.

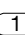


PRE- INSTALLATION

N.B Prior to commencing work, please examine the instructions with care. The alphabetical symbols on the diagram relate to written instructions, numerical symbols relate to the parts listing.

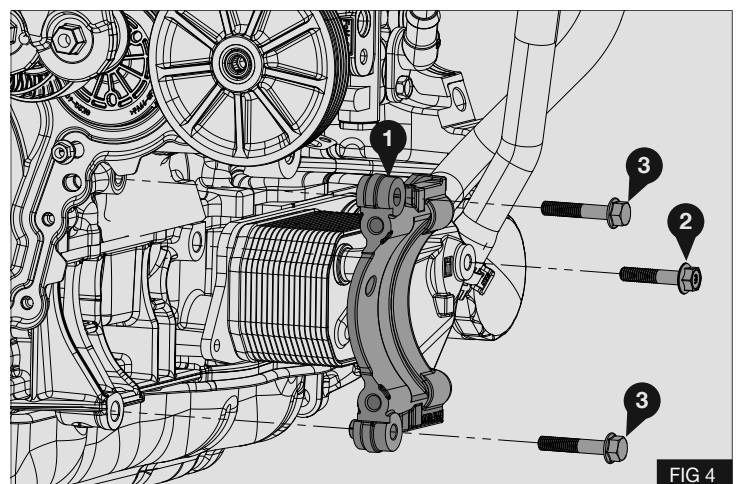
Removal of parts:-

1. Guard  - Fig 1
2. Belt guard  Where applicable - Fig 2
3. Carefully remove and retain the stretch belt  (mark direction of rotation). - Fig 3
4. Release the tension on the ancillary drive belt , Lock the tensioner using a suitable $\text{\O}4\text{mm}$ pin. Remove and discard the drive belt . - Fig 3

**INSTALLATION**

5. Install the mount bracket  using 2x M8 x 45 bolts  and 1x M8 x 40 bolt  - Fig 4

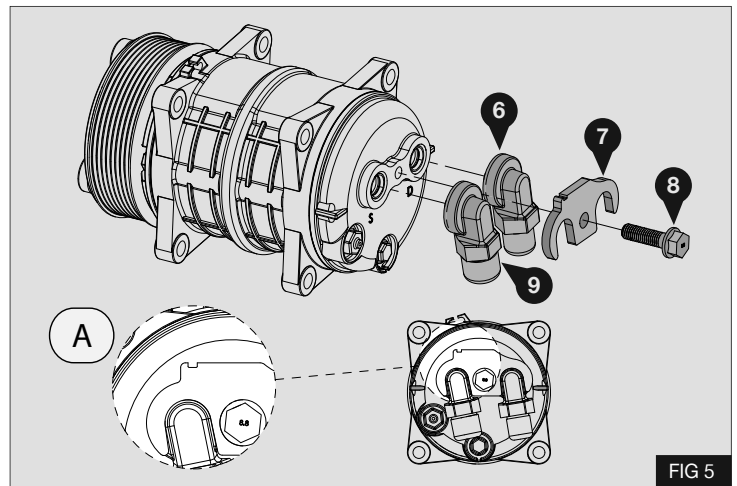
Torque bolts  and  to 23Nm / 17ftlb



6. Assemble the manifold components (6), (7), (8) and (9) onto the compressor. - Fig 5

Note: Ensure the clamp (7) is installed in the correct orientation with the notch above the suction port (see detail A) - Fig 5

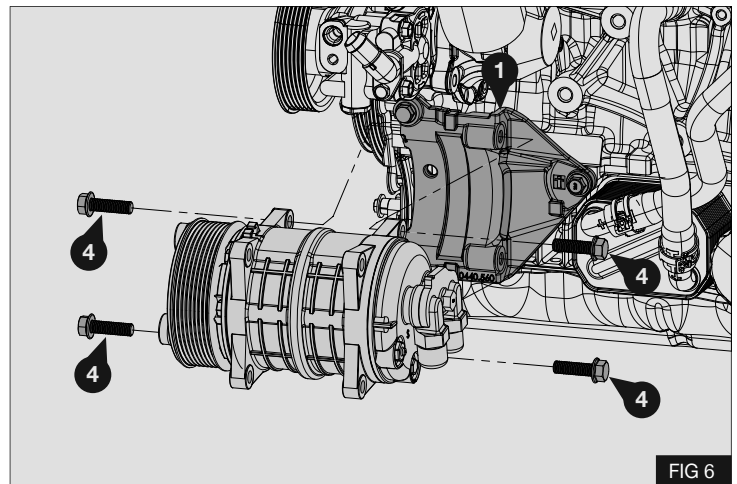
Torque bolt (8) to 45Nm / 33.2ftlb



7. Fit the compressor to the bracket (1) using 4 x M10 x 35 bolts (4) - Fig 6

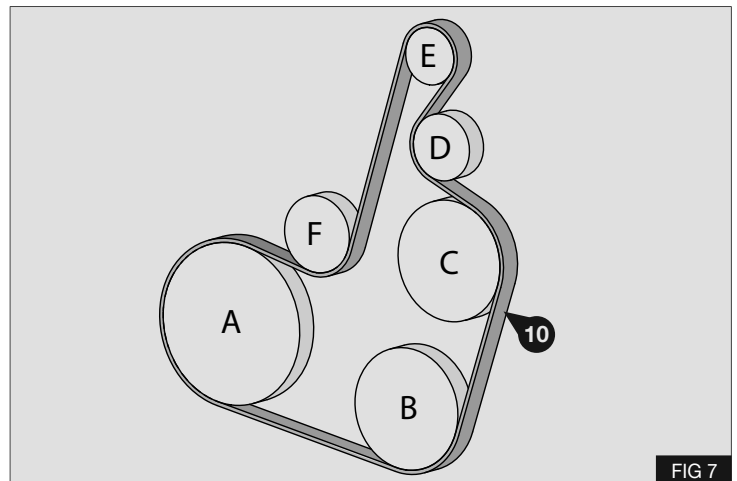
Note: Tighten the bolts at the front of the compressor first

Torque bolts (4) to 58Nm / 42.8ftlb



8. Fit the supplied drive belt (10) - Fig 7

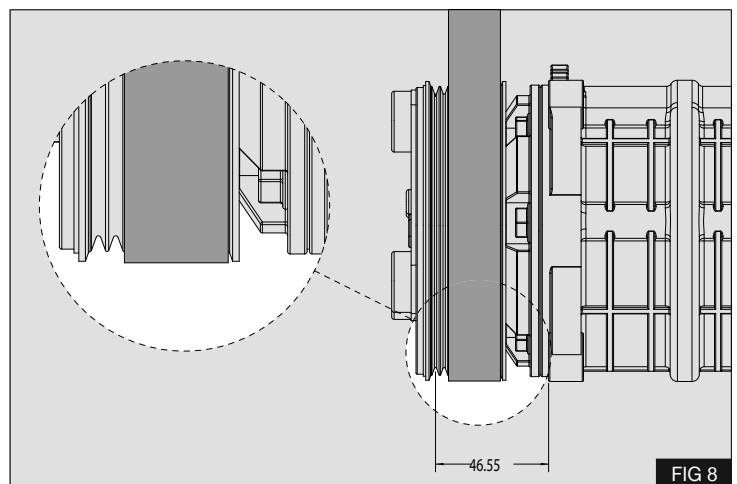
- A. Crank pulley
- B. Compressor
- C. Power steering
- D. Idle pulley
- E. Alternator
- F. Tensioner



9. Ensure the belt is positioned into the correct grooves (QUE / SELTEC). - Fig 8

10. Carefully Re-fit the Water pump drive belt ©. - Fig 3

Note: Ford Motors recommend this belt should be replaced.



HOSE ROUTING

1. Install the support plate (11) at the point shown using the original fastener (E). - Fig 9

Torque bolt (E) to 45Nm / 33.2ftlb

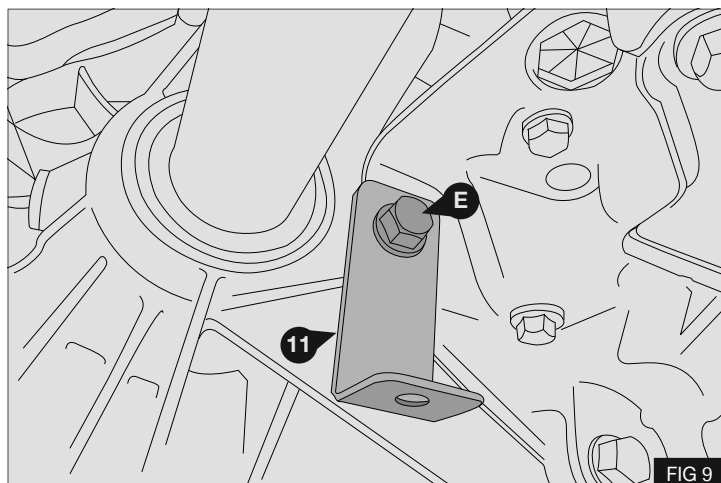


FIG 9

2. Install the gearbox hose support (12) at the point shown using the original fasteners (F) - Fig 10

Torque bolts (F) to 23Nm / 17ftlb

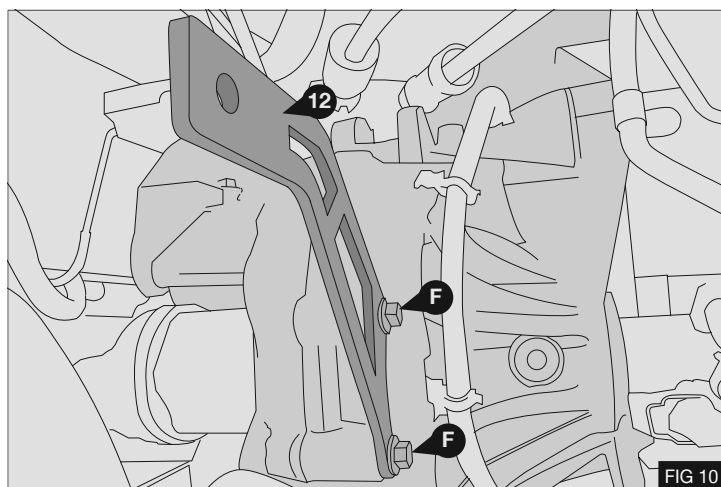


FIG 10

3. Fit the heat shields (13) and (14) to the refrigerant hoses.
4. Connect the hoses to the compressor. Route hoses as indicated with the heat shields positioned as shown. - Fig 11

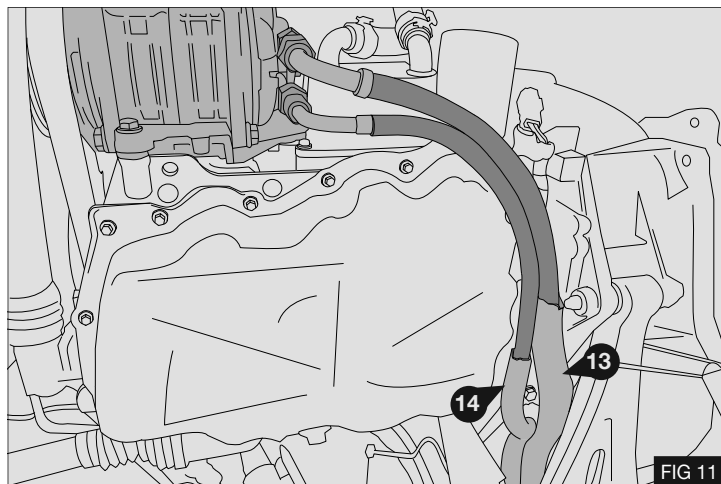


FIG 11

5. Secure the hoses to support plate (11) using P clips (15), (17) with M8x30 bolt (19) and Nut (18) - Fig.12

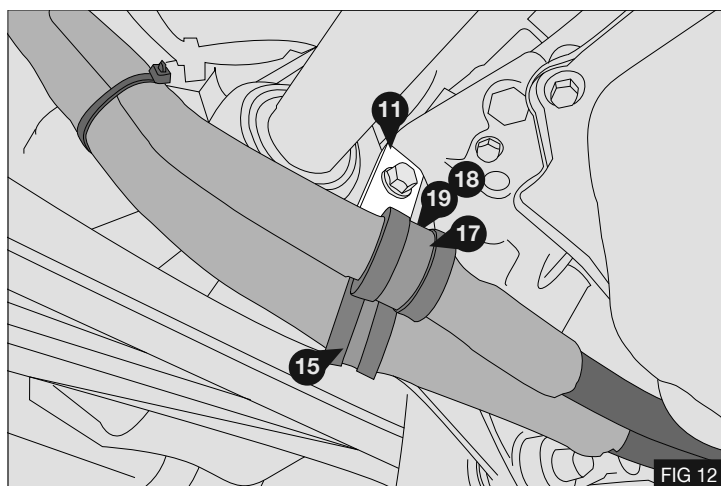
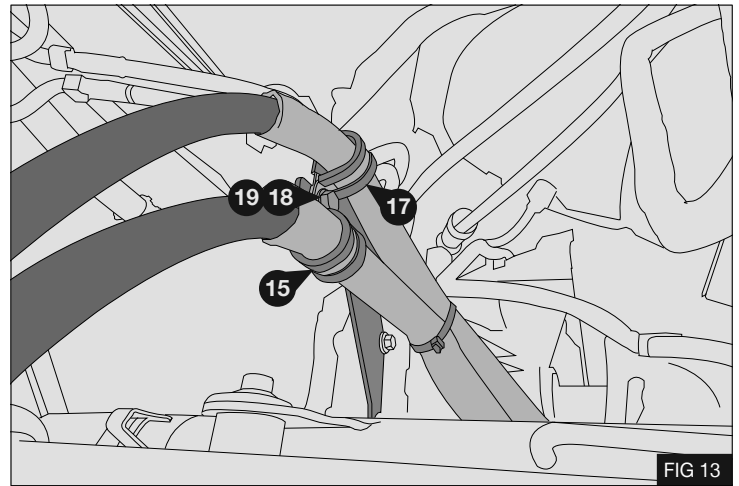


FIG 12

- Secure the hoses to the gearbox bracket (12) using P-clips (15), (17) with M8x30 bolt (19) and Nut (18) - Fig.13

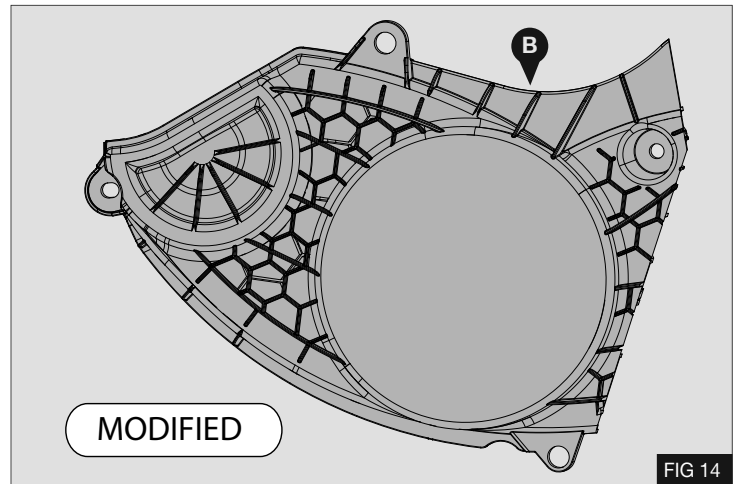
FINISHING

- Before starting the engine check all the installed parts and ensure that the belts are installed correctly.
- Run the unit for at least ten minutes, then check the whole mounting assembly including belts and previously removed parts.



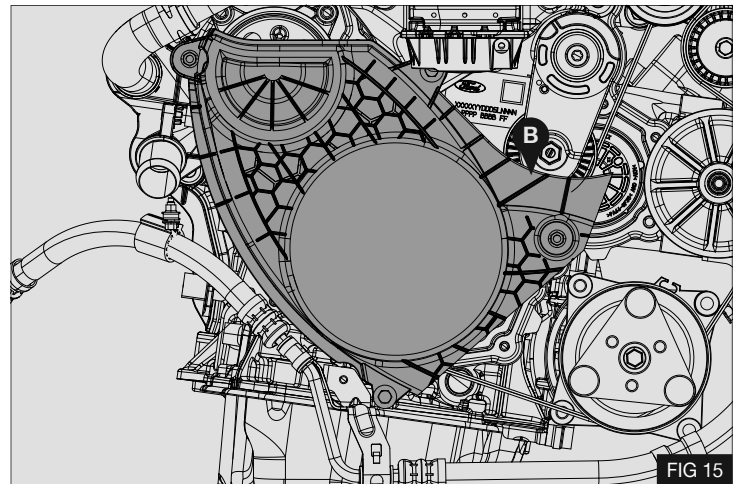
BELT GUARD (WHERE APPLICABLE)

- Modify the belt guard (B) to represent the image in fig 14.



- Refit the modified belt guard (B) using the appropriate fasteners. - Fig 15

CAUTION: Check clearance to belts.



(EN)

Techni focuses on constant upgrading of its products. The Manufacturer reserves the right to modify the models and components described in the present publication at any time for technical or commercial reasons and without prior notice. For further information, contact Techni technical services.

(DE)

Techni ist stets bestrebt die eigenen Produkte zu verbessern. Die Herstellerfirma behält sich das Recht vor, aus technischen oder Verkaufsgründen, zu jeder Zeit und ohne vorherige Ankündigung, Abänderungen an den Modellen und den in dieser Veröffentlichung beschriebenen Einbauteile vorzunehmen. Für weitere Informationen bitten wir Sie, sich an unseren Techni Kundendienst zu wenden.

(FR)

Techni vise à une amélioration constante des ces produits. La maison se réserve le droit d'apporter, à tout moment et sans préavis, des modifications aux modèles et aux composants décrits dans cette publication pour des raisons d'ordre technique ou commerciale. Pour d'ultérieures informations s'adresser au service d'assistance Techni.

(IT)

Techni mira ad un costante miglioramento dei propri prodotti. La Casa si riserva il diritto di apportare in qualunque momento e senza preavviso modifiche ai modelli e ai componenti descritti in questa pubblicazione per ragioni di natura tecnica o commerciale. Per ulteriori informazioni rivolgersi al servizio assistenza Techni.

(ES)

Techni aspira a un constante mejoramiento de su producción. La Fábrica se reserva el derecho de aportar en cualquier momento y sin preaviso modificaciones a los modelos y los componentes descritos en esta publicación por razones técnicas o comerciales. Para ulteriores informaciones dirigirse al servicio asistencia Techni.

VENDITA E SERVIZIO
VENTE ET SERVICE

SALES AND SERVICE
VERKAUF UND SERVICE



Sundorne Trade Park, Henley Way,
Shrewsbury, United Kingdom, SY1 4NS
Telephone (+44) (0) 1743 443176
Fax (+44) (0) 1743 443113
Email: sales@techni.co.uk